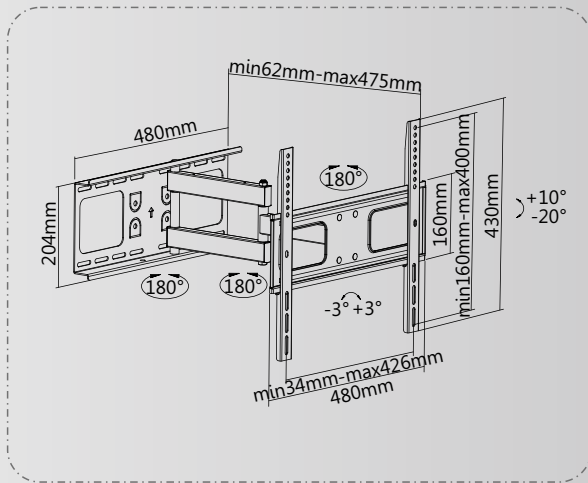


**FULL
MOTION**



UCH0198

most
32"-55"

**50kg
(110lbs)
MAX**

60-475mm

Three Times
Strength
Tested



3pcs
Carton

Dimensions: 54x23.5x21.5cm
G.W/N.W: 18/15.93KG



Max.VESA 400x400